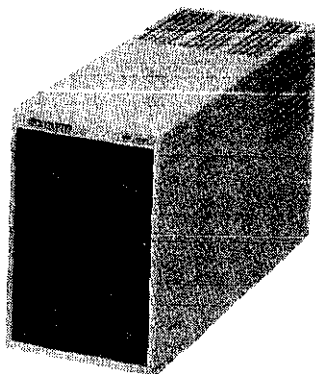


SHARP SERVICE MANUAL

CODE : 00ZMZ1F16// - E



MINI FLOPPY DISK DRIVE UNIT

MODEL **MZ-1F16**

THIS SERVICE MANUAL MUST
BE USE WITH FD55(L) SER-
VICE MANUAL.

INDEX

1. SPECIFICATION	2
2. SYSTEM BLOCK DIAGRAM	3
3. POWER SUPPLY BLOCK DIAGRAM	4
4. TROUBLE SHOOTING PROCEDURE OF POWER SUPPLY	5
5. POWER SUPPLY CIRCUIT DIAGRAM	7
6. SIGNAL POSITION OF CONNECTOR	9
7. STRAP	10
8. PARTS POSITION	10
PARTS GUIDE PARTS LIST	

1. Specification

Outline

The MZ-1F16 is an external expansion mini-floppy disk unit designed for use with the MZ-5600 Series Business Computer. It consists of a pair of thin type mini-floppy disk drives. The unit should be used for the third and fourth drive units of the MZ-5600 Series Business Computer.

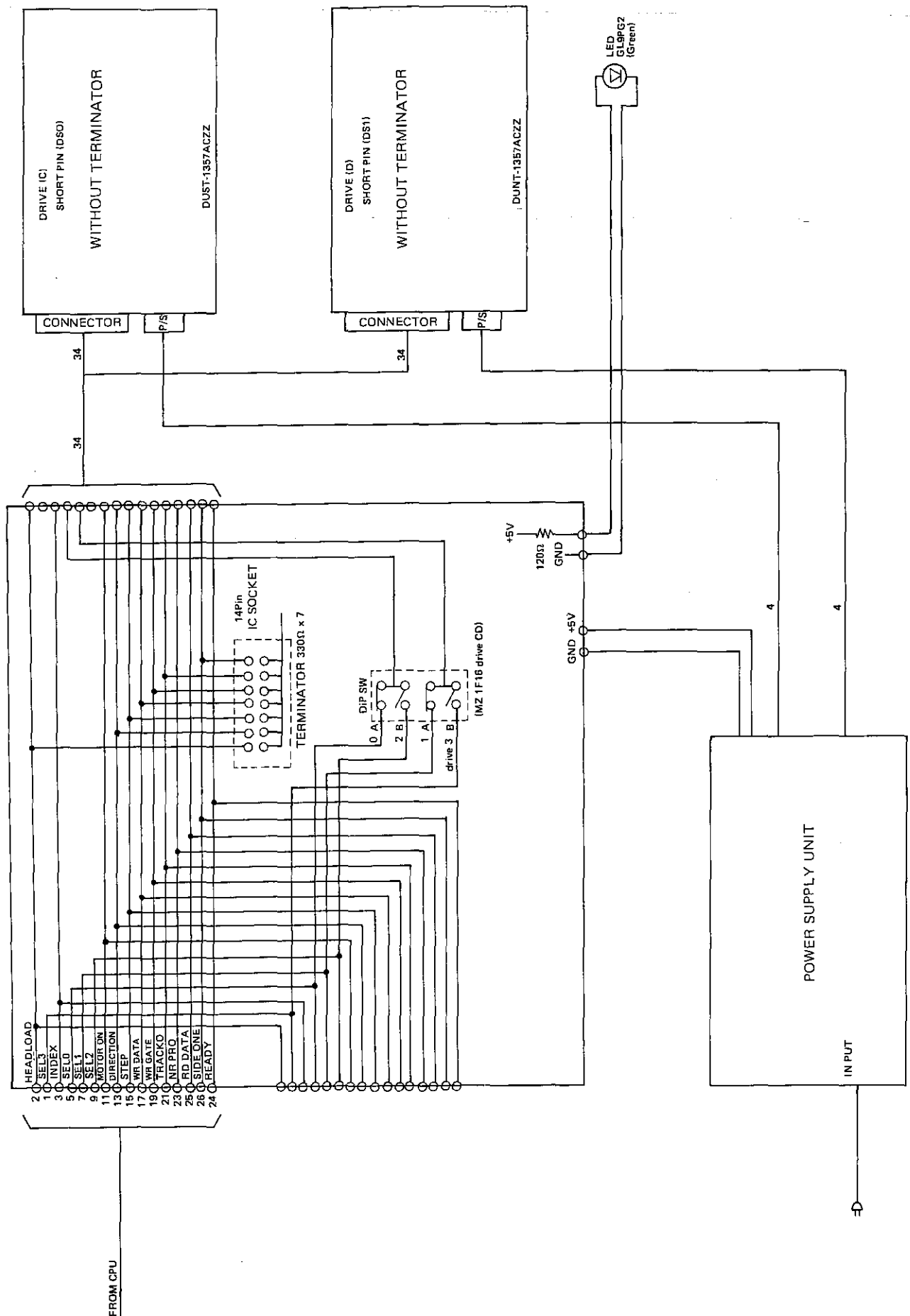
Specification

Model name	: MZ-1F16
Recording capacity	: 640KB x 2
Tracks	: 80 tracks
Sectors	: 16 sectors x 2
Recording medium	: 5-1/4" disk
Power supply	: Local Voltage 50/60Hz
Power consumption	: 50W
Operating temperature	: 10° C to 35° C
Operating humidity	: 20% to 80%RH, w/o moisture condensation
Physical dimensions	: 118 (W) x 331 (D) x 189 (H) mm
Weight	: 6.0 kg
Accessories	: Instruction book, drive number label, power cord.

Connection procedure

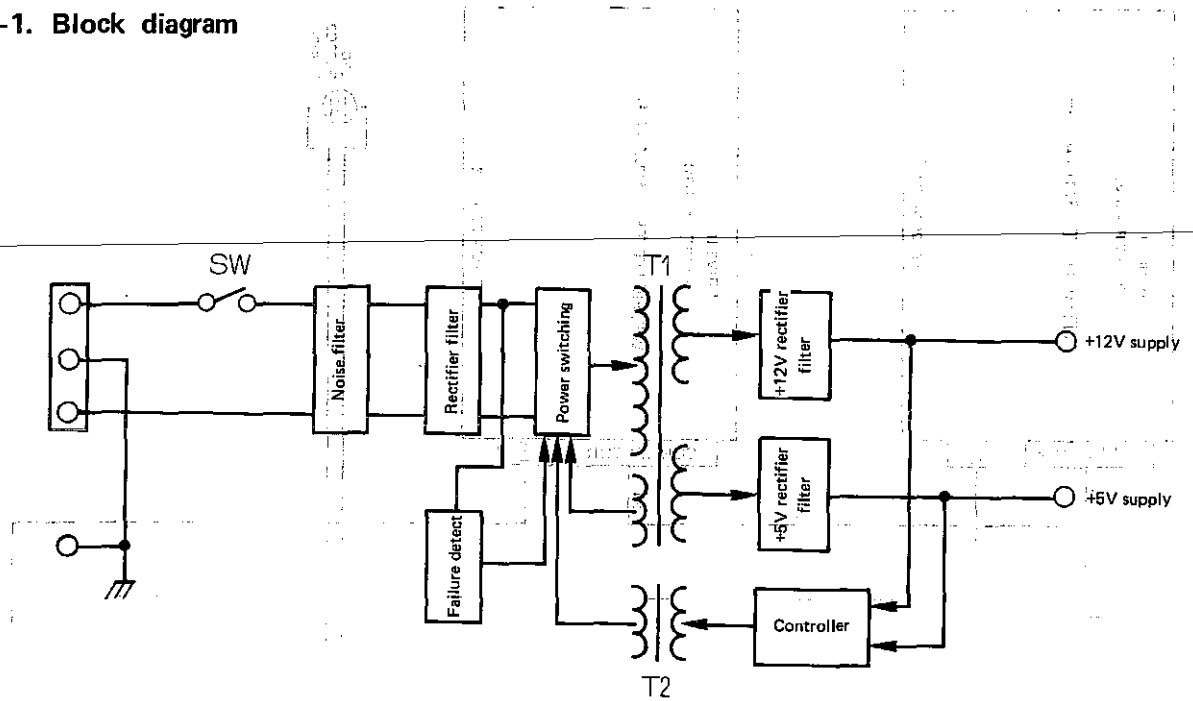
- (1) In the first place, make sure that all powers are off to MZ-5600 and peripheral units.
- (2) Interface the MZ-1F16 with the MZ-5600 using the MZ-1C43 Mini-floppy Disk Interfacing Cable option. The cable end at the MZ-1F16 side must be connected to the connector located on the upper part of the rear panel.
- (3) After connection of the cable, secure connectors tightly at both sides of connectors using screws.

2. System Block Diagram



3. Power supply Block DIAGRAM

3-1. Block diagram



(Fig. 1)

3-2.

Shown in Fig. 1 is the block diagram of the power supply circuit. Source power is first eliminated of noise through the noise filter, rectified, and it then charges the capacitor of the filter. When this DC voltage is impressed to the power switching circuit, it starts to oscillate so as to convert the DC voltage into a high frequency AC (20KHz or more) power, which is rectified through the high frequency ferrite transformer (H) to produce +5V and

+12V supplies. Both outputs are stabilized by means of the controller. As each of outputs is supplied to the controller, control signal is fed back to the primary side by the means of the saturable reactor (T2). This control signal changes the oscillation frequency by controlling the switching transistor drive current so as to stabilize outputs.

4. Trouble shooting procedure of POWER SUPPLY

4-1. Tools required

The following tools are required for servicing.

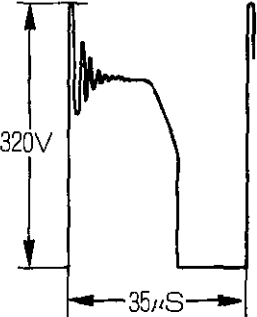
1. Oscilloscope
2. Voltage regulator (Slidac)
3. Voltmeter (digital voltmeter)

4. 5V/1.3A and 12V/1.3A loads

5. AC ammeter and voltmeter

4-2. When R1 is open

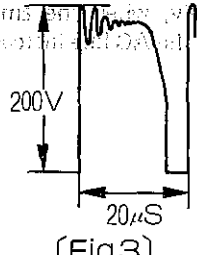
Since this failure may possibly be due to short circuit of ac line capacitor, RC1, C4, or Q1, the cause has to be checked in accordance with the flowchart below.

Flowchart	Phenomenon and others	Replacing component
<p>Start</p> <p>↓</p> <p>Replace R1 with the new one.</p>	<p>① Set the oscilloscope to the following range. Voltage range: 50V/div Time range: 10us/div</p>	
<p>↓</p> <p>Connect the oscilloscope probes between the emitter and collector of Q1. ①</p>	<p>② Shut off the AC supply immediately, when the ammeter coupled to the AC line increases abruptly.</p>	<p>Replace the following components with new ones in this case, because there may be possible destruction in these components. <u>Q1, RC1, C4, C1, C16</u></p>
<p>↓</p> <p>Gradually increase the AC voltage using *Slidac. ②</p>		<p>③ Should Q1 be found in failure, there will be need of replacing the following components, as they may possibly be in destruction, too. <u>Q2, Q3, D1, D3, R11, R8</u></p>
<p>↓</p> <p>Replace the defective component with the new one. ③</p>	<p>④ Put the load into connection in this case and ensure that the following waveform appears.</p>	
<p>↓</p> <p>Gradually increase the AC voltage using *Slidac and ensure appearance of the waveform shown in FIG-2. ④</p>	 <p>(Fig. 2)</p>	<p>NOTE: Should Q1 be found in failure, there may be possible destruction in R8, too. When Step (2) is carried out with R8 in open state, it causes to add dc voltage between the collector and the emitter of Q1 so that DC voltage may not decrease even after the ac supply was shut off. So, care must be exercised in this case to avoid continuous impression of the DC voltage.</p>
<p>↓</p> <p>Check proper output of +5V and +12V, respectively.</p>		
<p>↓</p> <p>End</p>		

* Slidac = Variable Voltage transformer

4-3. When R1 is not open

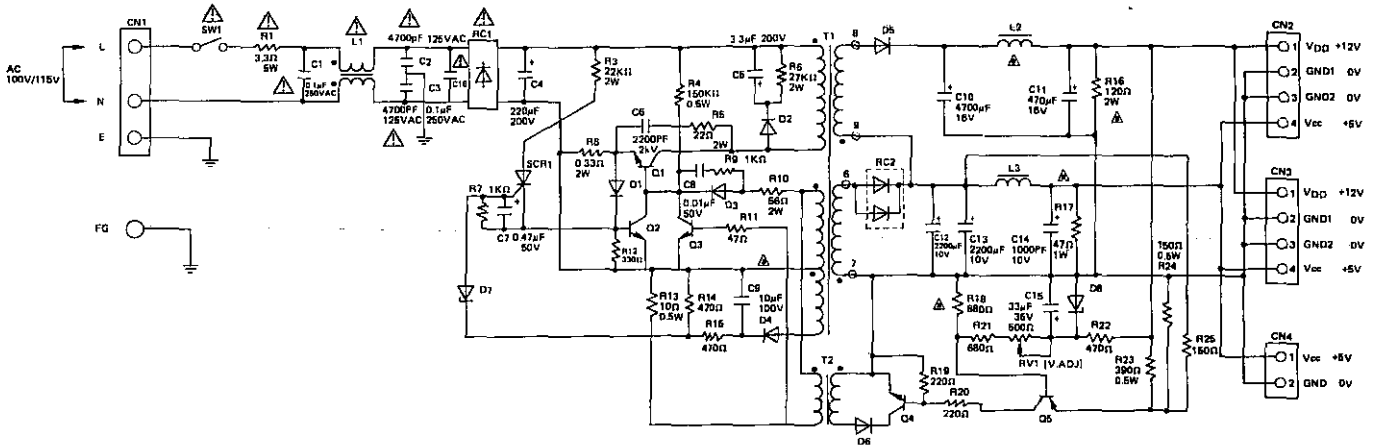
Find the cause according to the procedure shown in below.

Flowchart	Phenomenon and others	Replacing component
<p>Start</p> <p>↓</p> <p>①</p> <p>Connect the oscilloscope probes between the emitter</p> <p>↓</p> <p>Gradually increase the AC voltage using *Slidac.</p>	<p>① Set the oscilloscope to the following range.</p> <p>Voltage range: 50V/div</p> <p>Time range: 10us/div</p>	
<p>↓</p> <p>②</p> <p>Waveform does not appear.</p> <p>↓</p> <p>③</p> <p>Waveform appears.</p>	<p>② In this case, only the dc voltage is impressed between the collector and the emitter of Q1, and the dc voltage increases when the ac input voltage is increased.</p> <p>Output voltage is 0V.</p>	<p>The following component may be in failure.</p> <p><u>Q2, Q3, D3, D5, RC2, C5</u></p>
<p>↓</p> <p>④</p> <p>Waveform appears at the beginning, but disappears soon.</p> <p>↓</p> <p>Replace component with the new one.</p> <p>↓</p> <p>Gradually increase the AC voltage using voltage regulator Slidac and ensure appearance of the waveform shown in Fig.2.</p> <p>↓</p> <p>Check proper output of +5V and +12V, respectively.</p> <p>↓</p> <p>End</p>	<p>③ The waveform below will appear in this case (AC 100V).</p>  <p>(Fig.3)</p> <p>Output voltage will be 1 to 1.5V (+5V output).</p>	<p>The following component may be in failure.</p> <p><u>Q4, Q5, D6, D8</u></p> <p>*D8 and Q5 may rarely be in failure.</p>
	<p>④ When the AC voltage is increased by means of the Slidac, the waveform appears at the beginning, but it disappears and becomes DC voltage when the AC voltage is further increased.</p>	<p>The following component may be in failure.</p> <p><u>Q3, D6, Q4, Q5, T2, R11, R20</u></p> <p>*R11, R20, and Q5 may rarely be in failure.</p>

NOTE: RV1 may possibly be in failure, in the output voltage does not reach the given rating (4V).

5. Power supply circuit DIAGRAM

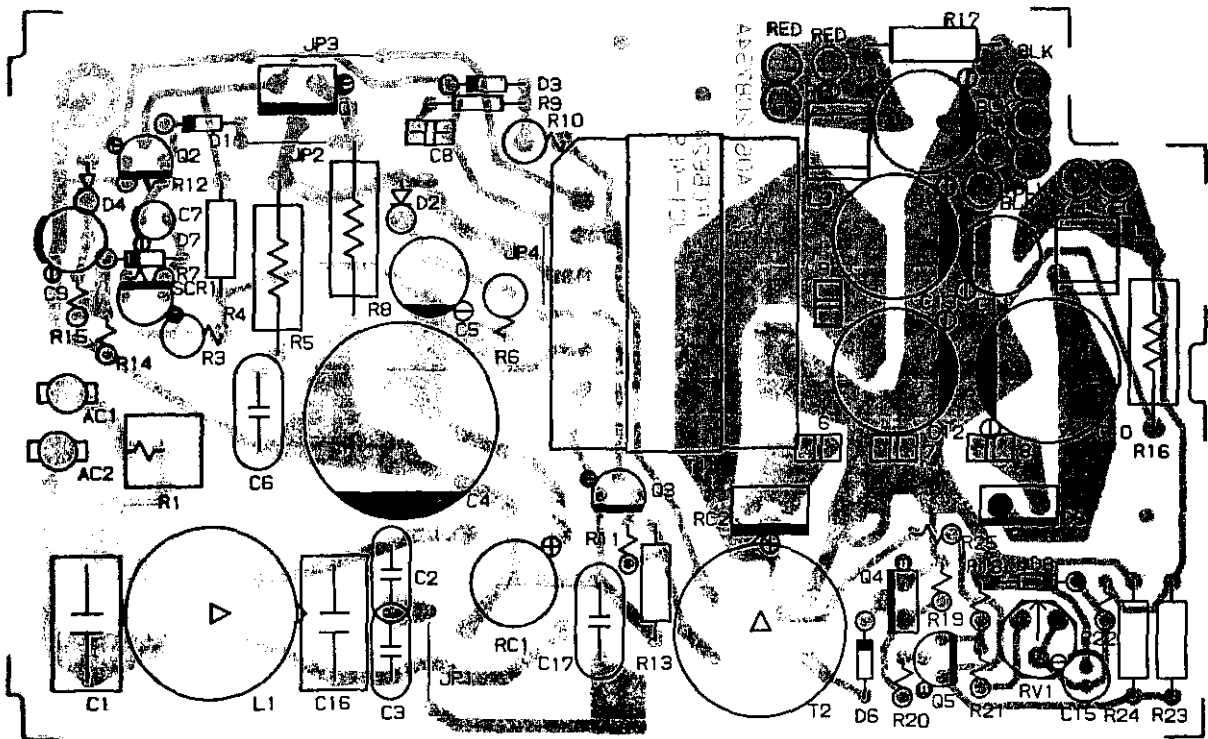
5-1. Power supply circuit for 100V series



PCB624

AS 8

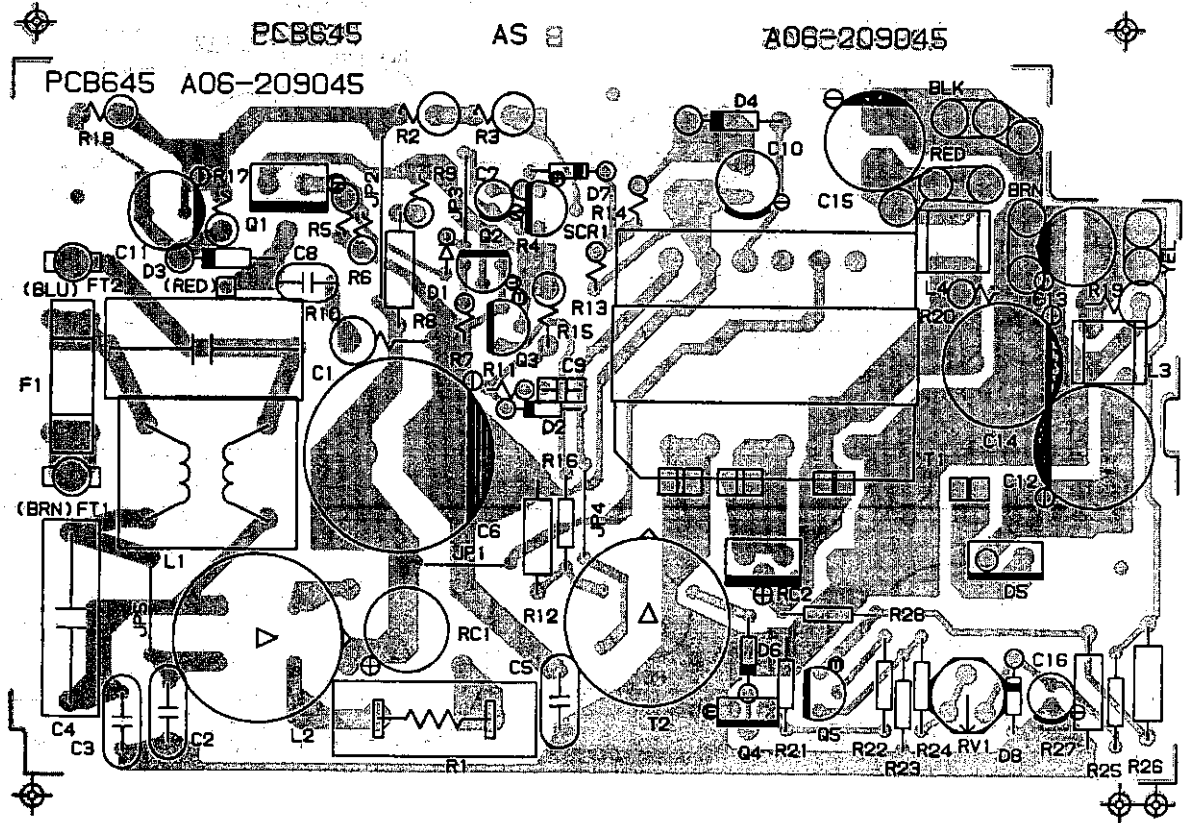
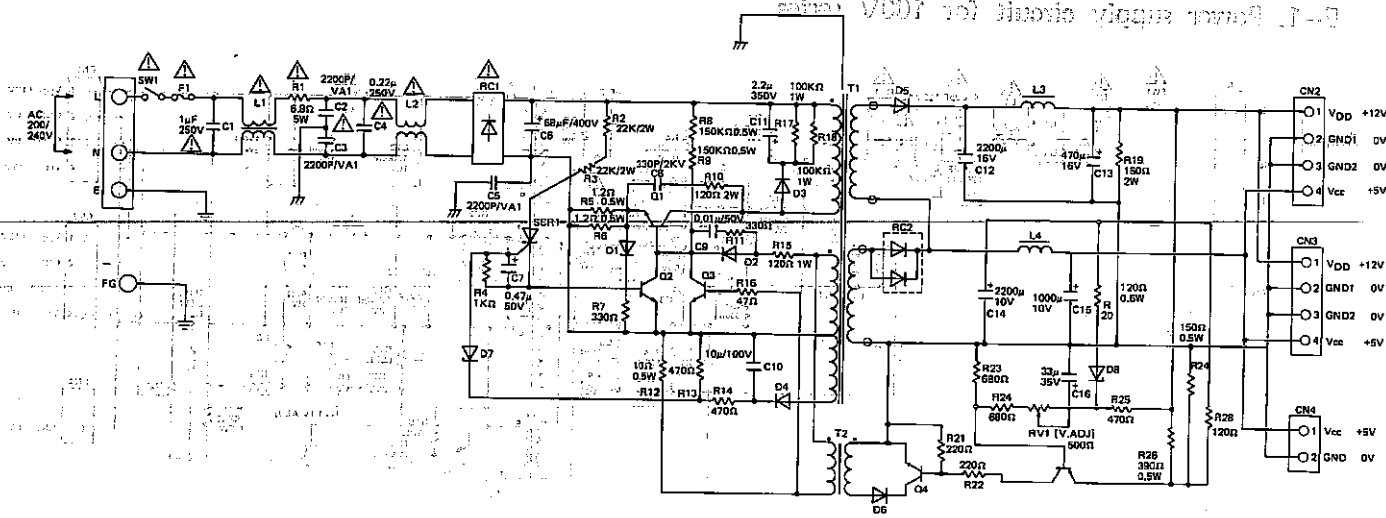
A06F208750A



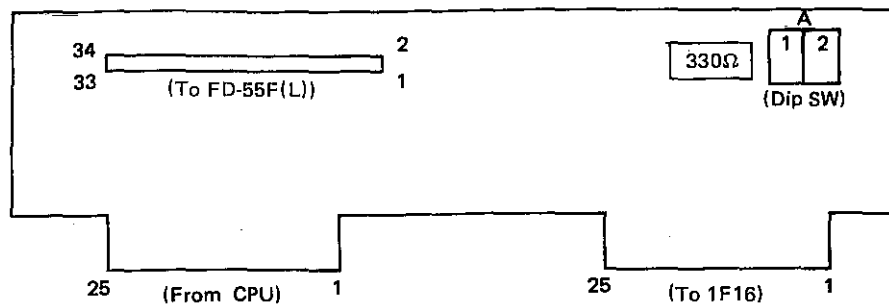
5-2. Power supply circuit for 200V series

Power supply circuit diagram

5-1 Power supply circuit for 100V series



6. Signal Position of Connector



Connector Signal Position

(From CPU AND To IF16)

MFD (To FD-55F(L))

No	Signal Name	No	Signal Name	No	Signal Name	No	Signal Name
1	SEL 3	2	HEAD LOAD	1		2	
3	INDEX	4		3		4	HEAD LOAD
5	SEL 0	6		5		6	
7	SEL 1	8		7		8	INDEX
9	SEL 2	10		9		10	SEL 0
11	MOTOR ON	12	GND	11		12	SEL 1
13	DIRECTION	14		13		14	
15	STEP	16		15		16	MOTOR ON
17	WR DATA	18		17	GND	18	DIRECTION
19	WR GATE	20		19		20	STEP
21	TRACK 0	22		21		22	WR DATA
23	WR PRO	24	REDY	23		24	WR GATE
25	RD DATA	26	SIDE	25		26	TRACK 0
				27		28	WR PRO
				29		30	RD DATA
				31		32	SIDE
				33		34	REDY

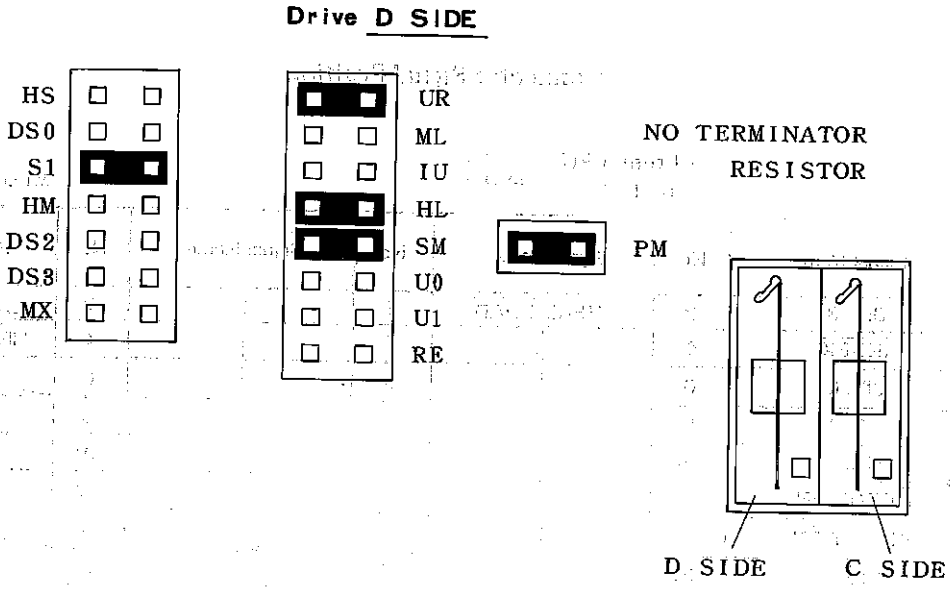
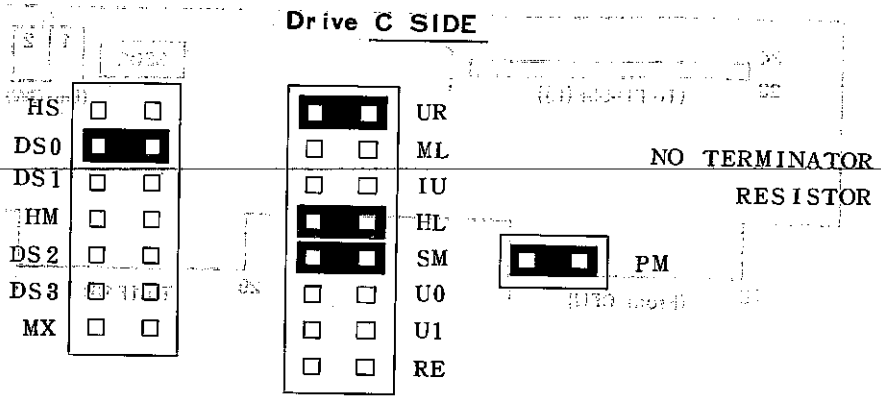
Dip SW Position

Dip SW		Select (MZ1F16)
1	ON	SELC
2	ON	SELD
1	OFF	
2	OFF	

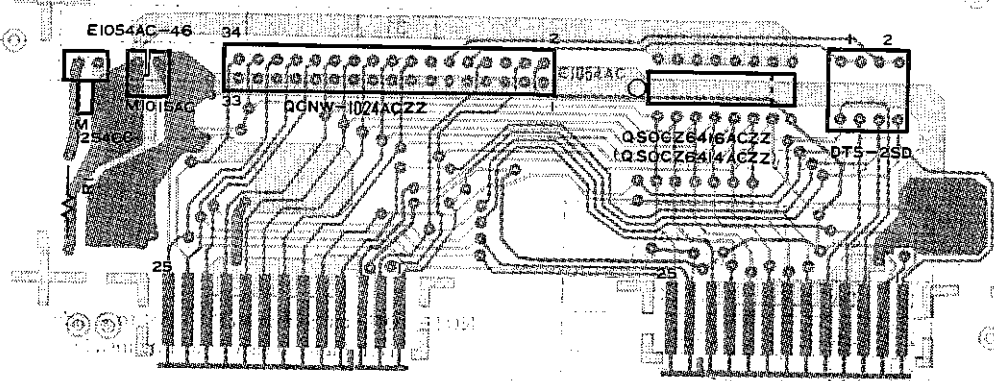
NOTE: ON position mean SW is set to A side.
Terminator resistor must be installed.

7. Strap

referred to roll no 7 lang 3 .0

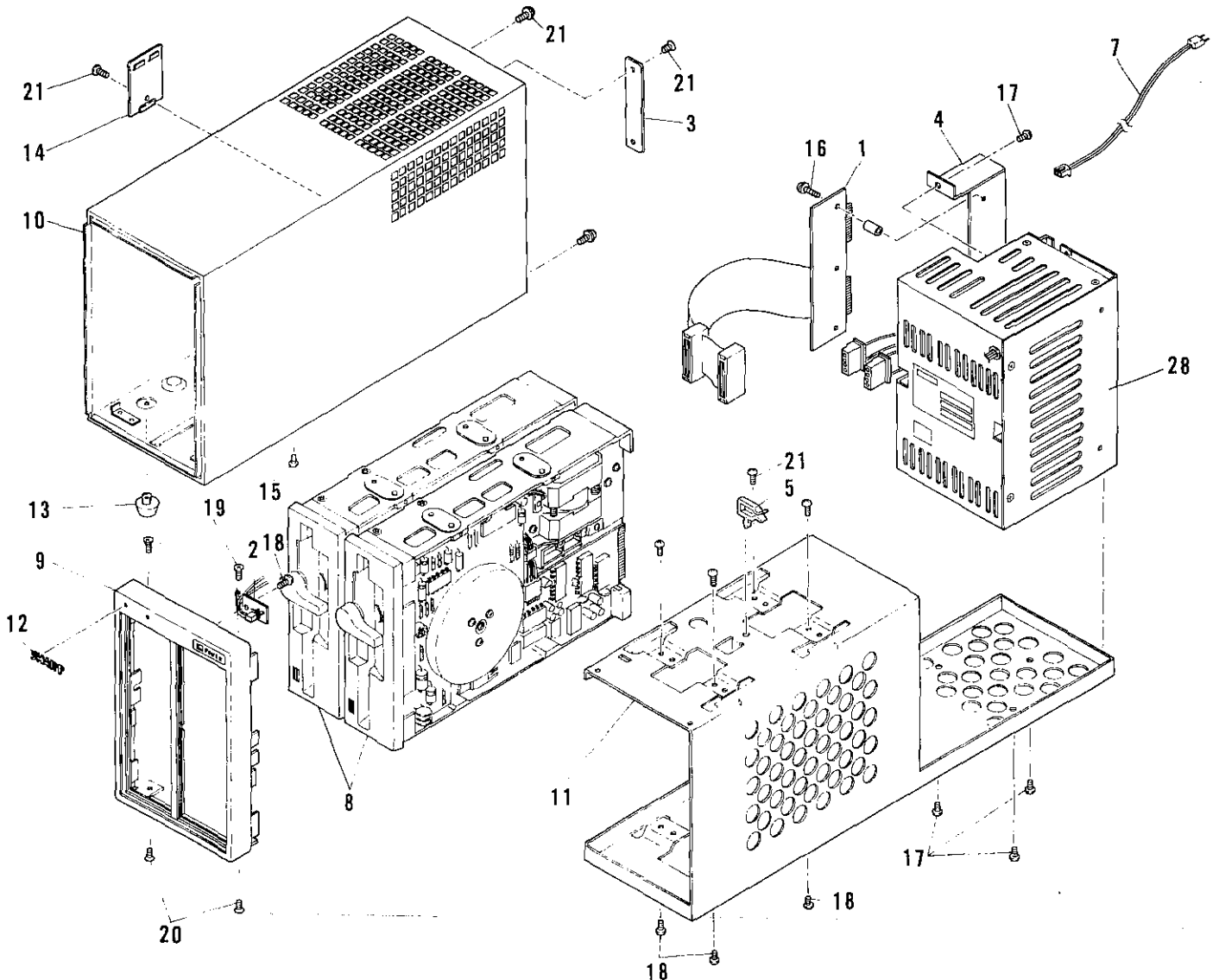


8. Parts position



1 Exteriors

NO.	PARTS CODE	PRICE RANK	NEW MARK	PART RANK	DESCRIPTION
1	DUNTK1382ACZZ	BF		E	I/F PWB unit
2	DUNTK1366ACZZ	AZ		E	LED PWB unit
3	GFTAR1014ACZZ	AC		D	Lid for connector
4	LANGK1012ACZZ	AK		D	Angle for PWB
5	LHLDW2008SCZZ	AB		D	Mini clamp S-5 (S-5)
6	PSPAX1005ACZZ	AF		C	Spacer for PWB
7	QACCV6620QCZZ	AV		C	AC cord (Europe & Others) (220V)
8	QACCV7521QCZZ	AS		C	AC cord (UK & So. Africa)
9	QACCL7620QCZZ	AW		C	AC cord (For Australia) (6A 250V)
10	DUNT-1357ACZZ	**		E	Mini floppy disk drive
11	GCABC1010ACZA	AP		D	Front panel
12	CCAB-1009ACZA	BD		D	Cabinet
13	LCHSM1005ACZZ	AV		D	Chassis
14	HBDGB3002GES/	AE		D	SHARP Badge
15	GLEGP0010UCZZ	AB		C	Rubber foot
16	GFTAS1013ACZZ	AF		D	Lid
17	XBPSD30P08KSO	AA		C	Screw (3x8KS)
18	XBPSD30P18KSO	AA		C	Screw
19	XBPSD40P06K00	AA		C	Screw (4x6K)
20	XBBSC30P06000	AA		C	Screw (3x6)
21	XBPSD30P06KSO	AA		C	Screw (3x6KS)
22	XBPSD30P06K00	AA		C	Screw (X3P+6S/S)
23	QPLGA6626RCZZ	AN		C	Plug for AC cord (BS with fuse)
24	TCAUS1053CCZZ	AC		D	Caution label for Inst. book (U.K)
25	TCAUS1054CCZZ	AB		D	Caution label for cord (U.K)
26	TLABJ1083CCZZ	AA		D	Label (U.K. only)
27	PHOG-1023CCZZ	AB		D	Protector for AC plug (So. Africa)
28	QPLGA0018WRE1	AN		C	AC plug (So. Africa)
29	DUNT-1127ACZZ	BX		E	Power supply unit for 200v series
30	DUNT-1100ACZZ	BU		E	Power supply unit for 100v series



2 Electronic Parts

NO.	PARTS CODE	PRICE RANK	NEW MARK	PART RANK	DESCRIPTION
1	QCNCM1015ACZZ	AC		B	Connector (2pin)
2	QCNCM1254CC0B	AC		B	Connector (2pin)
3	QCNW-1024ACZZ	BC		C	Connector cable
4	QSOCZ6414ACZZ	AD		C	IC socket (14pin)
5	QSW-Z1018ACZZ	AM		B	Dip SW
6	VRD-ST2EY121J	AA		C	Resistor (1/4W 120Ω ±5%)
7	VHPGL9PG2//--1	AC		B	LED (GL9PG2)
8	QCNW-1025ACZZ	AD		B	LED cable

3 Packing & Others

NO.	PARTS CODE	PRICE RANK	NEW MARK	PART RANK	DESCRIPTION
1	RMEMR1017AC74	BM		C	Media
2	TCAUS1150CCZZ	AB		D	Coution
3	TLABZ1035ACZA	AB		C	Drive No label (ABCD)
4	TLABZ1051ACZA	AB		D	Drive No label (EFGH)
5	TLABZ1087ACZZ	AD		D	DD label
6	TINSE1157ACZZ	BG		D	Instruction book
7	SPAKA1114ACZZ	AV		D	Packing cushion
8	SPAKC1471ACZZ	AR		D	Packing case
9	SPAKA1009ACZZ	AB		D	Cord sleeve
10	SSAKH4001KCZZ	AC		D	Vinyl bag (500×500mm)
11	SSAKA5003CCZZ	AA		D	Vinyl bag (140×260mm)
12	SSAKA5004CCZZ	AA		D	Vinyl bag (100×300mm)
13	SSAKA0006UCZZ	AA		D	Vinyl bag (50×60mm)

4 Electronic parts for 200V series power supply

NO.	PARTS CODE	PRICE RANK	NEW MARK	PART RANK	DESCRIPTION
1	0AE30536231//	AX		B	Transistor (2SC2502) [Q1]
2	VS2SC2655-Y-1	AD		B	Transistor (2SC2655-Y) [Q2]
3	VS2SC2655-Y-1	AD		B	Transistor (2SC2655-Y) [Q3]
4	0AE30510532//	AF		B	Transistor (2SC2824-Y) [Q4]
5	VS2SA1015-Y-A	AB		B	Transistor (2SA1015-Y) [Q5]
6	0AE30263326//	AQ		B	Diode (1J4B1) [RC1]
7	0AE30583336//	AV		B	Diode (C8P030) [RC2]
8	VHD1S2076A/-1	AB		B	Diode (1S2076A-FEC) [D1]
9	0AE30121947//	AE		B	Diode (1S2348H) [D2]
10	0AE30271020//	AL		B	Diode (1S1832) [D3]
11	VHD10DF1//--1	AD		B	Diode (10DF1) [D4]
12	VHDS6K20//--1	AK		B	Diode (S6K20H) [D5]
13	0AE30121947//	AE		B	Diode (1S2348 H) [D6]
14	0AE30361024//	AD		B	Diode (HZ6L-A2) [D7]
15	0AE30497655//	AD		B	Diode (HZ7L-C1) [D8]
16	0AE30583349//	AK		C	Capacitor (1μF 250V) [C1]
17	0AE30584513//	AH		C	Capacitor (2200pF 250V) [C2]
18	0AE30584513//	AH		C	Capacitor (2200pF 250V) [C3]
19	0AE30263287//	AN		C	Capacitor (0.22μF 250V) [C4]
20	0AE30584513//	AH		C	Capacitor (2200μF 250V) [C5]
21	0AE30583352//	AN		C	Capacitor (68μF 400V) [C6]
22	0AE30239839//	AC		C	Capacitor (0.47μF 50V) [C7]
23	0AE30583307//	AF		C	Capacitor (330pF 2KV) [C8]
24	0AE30129460//	AC		C	Capacitor (0.01μF 50V) [C9]
25	0AE30525598//	AE		C	Capacitor (10μF 100V) [C10]
26	0AE30583365//	AH		C	Capacitor (2.2μF 350V) [C11]
27	0AE30583297//	AM		C	Capacitor (2200μF 16V) [C12]
28	0AE30540764//	AG		C	Capacitor (470μF 16V) [C13]
29	0AE30529905//	AK		C	Capacitor (2200μF 16V) [C14]
30	0AE30513461//	AG		C	Capacitor (1000μF 10V) [C15]
31	0AE30513458//	AD		C	Capacitor (33μF 35V) [C16]
32	0AE30263559//	AG		C	Cement resistor (6.8Ω 5W) [R1]
33	VRS-PT3DB223J	AB		C	Metal resistor (22KΩJ 2W) [R2]
34	VRS-PT3DB223J	AB		C	Metal resistor (22KΩJ 2W) [R3]
35	VRD-ST2EY102J	AA		C	Resistor (1KΩJ 0.25W) [R4]
36	0AE30498492//	AB		C	Resistor (1.2Ω 0.5W) [R5]
37	0AE30498492//	AB		C	Resistor (1.2Ω 0.5W) [R6]
38	VRD-ST2EY331J	AA		C	Resistor (330Ω 0.25W) [R7]
39	VRD-ST2HY154J	AA		C	Resistor (150KΩJ 0.5W) [R8]
40	VRD-ST2HY154J	AA		C	Resistor (150KΩJ 0.5W) [R9]
41	VRS-PT3DB121J	AB		C	Resistor (120ΩJ 2W) [R10]
42	VRD-ST2EY331J	AA		C	Resistor (330ΩJ 0.25W) [R11]
43	VRD-ST2HY100J	AB		C	Resistor (10ΩJ 0.5W) [R12]

4 Electronic parts for 200V series power supply

NO.	PARTS CODE	PRICE RANK	NEW MARK	PART RANK	DESCRIPTION	
44	VRD-ST2EY471J	AA		C	Resistor (470ΩJ 0.25W)	[R13]
45	VRD-ST2EY471J	AA		C	Resistor (470ΩJ 0.25W)	[R14]
46	VRS-PT3AB121J	AB		C	Metal resistor (120ΩJ 1W)	[R15]
47	VRD-ST2EY470J	AA		C	Resistor (47ΩJ 0.25W)	[R16]
48	VRS-PT3AB102J	AC		C	Metal resistor (1KΩJ 1W)	[R17]
49	VRS-PT3AB102J	AC		C	Metal resistor (1KΩJ 1W)	[R18]
50	VRS-PT3DB150J	AB		C	Metal resistor (150ΩJ 2W)	[R19]
51	VRD-ST2HY121J	AA		C	Resistor (120ΩJ 0.5W)	[R20]
52	VRD-ST2EY221J	AA		C	Resistor (220ΩJ 0.25W)	[R21]
53	VRD-ST2EY221J	AA		C	Resistor (220ΩJ 0.25W)	[R22]
54	VRD-ST2EY681J	AA		C	Resistor (680ΩJ 0.25W)	[R23]
55	VRD-ST2EY681J	AA		C	Resistor (680ΩJ 0.25W)	[R24]
56	VRD-ST2EY471J	AA		C	Resistor (470ΩJ 0.25W)	[R25]
57	VRD-ST2HY391J	AB		C	Resistor (390Ω 0.5W)	[R26]
58	VRD-ST2HY151J	AA		C	Resistor (150Ω 0.5W)	[R27]
59	VRD-ST2HY121J	AA		C	Resistor (120Ω 0.25W)	[R28]
60	0AE30583323//	AL		B	SCR (03P5MG)	[SCR1]
61	0AE30116716//	AH		B	Variable resistor (500ΩB)	[RV1]
62	0AE30588328//	BB		B	Transformer (TM056)	[T1]
63	0AE30266624//	AW		B	Transformer (CCG163-00)	[T2]
64	0AE30515472//	AS		C	Coil (NF01K102)	[L2]
65	0AE30470164//	AL		C	Coil (CEB173-00)	[L3]
66	0AE30470164//	AL		C	Coil (CEB173-00)	[L4]
67	0AE10491253//	AG		C	Insulator	
68	0AE10568937//	AF		C	Radiator sheet	
69	0AE10582696//	AV		C	PWB W/O parts	
70	0AE10567925//	AR		C	Radiator	
71	0AE10567938//	AR		C	Radiator	
72	0AE30588784//	AS		C	Coil	[L1]

5 Exteriors for 200V series power supply

NO.	PARTS CODE	PRICE RANK	NEW MARK	PART RANK	DESCRIPTION	
1	XBSSD30P04000	AA		C	Screw	
2	XNESD30-24000	AA		C	Nut	
3	XBPSD30P06KS0	AA		C	Screw	
4	0AE10567967//	AU		C	Chassis	
5	0AE10567941//	AW		D	Cover (1)	
6	0AE10567954//	AZ		D	Cover (2)	
7	XBPSD30P04KS0	AA		C	Screw	
8	XBPSD40P07000	AA		C	Screw	
9	0AE10538899//	AY		C	Wire harness	
10	0AE30583378//	AV		B	AC switch	
11	0AE22831688//	AR		C	3P inlet	
12	0AE20512336//	AM		C	Terminal	
13	0AE23594924//	AC		C	Bushing	
14	0AE23595156//	AH		C	Bushing	
15	XNESD40-32000	AA		C	Nut	
16	0AE30376734//	AG		B	Fuse	
17	0AE20490445//	AC		C	Fuse holder	

6 Electronic parts for 100V series power supply

NO.	PARTS CODE	PRICE RANK	NEW MARK	PART RANK	DESCRIPTION	
1	0AE30215882//	AR		B	Transistor (2SC2502)	[Q1]
2	0AE30221546//	AG		B	Transistor (2SC2655-Y)	[Q2]
3	0AE30221546//	AG		B	Transistor (2SC2655-Y)	[Q3]
4	0AE30510532//	AF		B	Transistor (2SC2824-Y)	[Q4]
5	0AE30362052//	AD		B	Transistor (2SA1015-Y)	[Q5]
6	0AE30189934//	AM		B	Diode (1G4B1)	[RC1]
7	0AE30536817//	AW		B	Diode (S10SC3M)	[RC2]
8	0AE30121921//	AC		B	Diode (1S2C76A-FEC)	[D1]
9	0AE30239897//	AH		B	Diode (F114D)	[D2]
10	0AE30121947//	AE		B	Diode (1S2348 Ⓜ)	[D3]
11	0AE30516206//	AG		B	Diode (10DF1)	[D4]
12	0AE30536820//	AS		B	Diode (S6K20H)	[D5]
13	0AE30121947//	AE		B	Diode (1S2348 Ⓜ)	[D6]
14	0AE30261593//	AD		B	Diode (HZ6L-C1)	[D7]
15	0AE30497655//	AD		B	Diode (HZ7L-C1)	[D8]
16	0AE30521071//	AH		C	Capacitor (0.1μF 250V)	[C1]
17	0AE30189138//	AF		C	Capacitor (4700pF 125V)	[C2]
18	0AE30189138//	AF		C	Capacitor (4700pF 125V)	[C3]

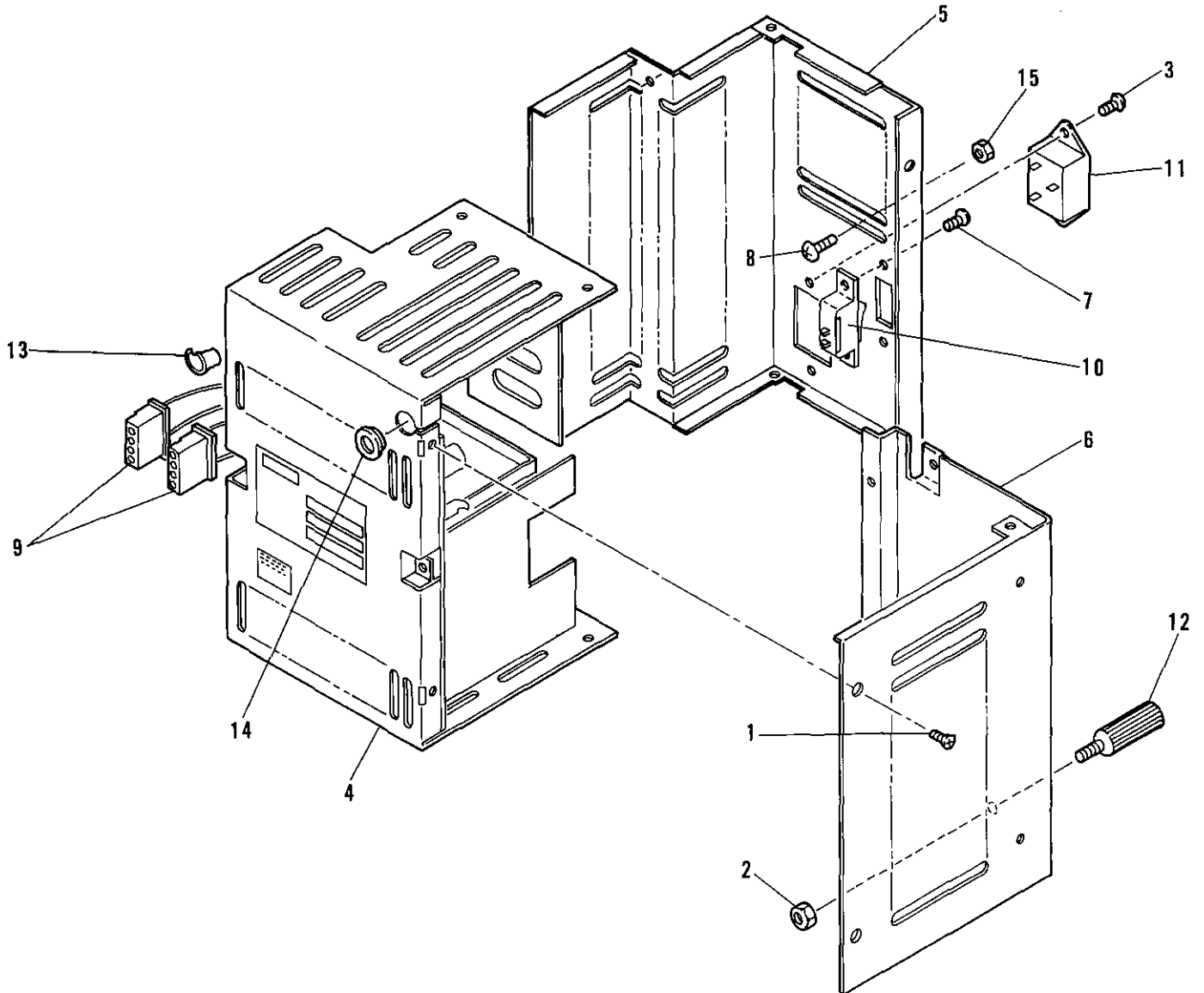
6 Electronic parts for 100V series power supply

NO.	PARTS CODE	PRICE RANK	NEW MARK	PART RANK	DESCRIPTION	
19	0AE30208792//	AX		C	Capacitor (220 μ F 200V)	[C4]
20	0AE30241267//	AG		C	Capacitor (3.3 μ F 200V)	[C5]
21	0AE30536833//	AQ		C	Capacitor (2200pF 2KV)	[C6]
22	0AE30525527//	AD		C	Capacitor (0.47 μ F 50V)	[C7]
23	0AE30129460//	AC		C	Capacitor (0.01 μ F 50V)	[C8]
24	0AE30529989//	AE		C	Capacitor (10 μ F 50V)	[C9]
25	0AE30540777//	AS		C	Capacitor (4700 μ F 16V)	[C10]
26	0AE30540764//	AG		C	Capacitor (470 μ F 16V)	[C11]
27	0AE30529905//	AK		C	Capacitor (2200 μ F 10V)	[C12]
28	0AE30529905//	AK		C	Capacitor (2200 μ F 10V)	[C13]
29	0AE30513461//	AG		C	Capacitor (1000 μ F 10V)	[C14]
30	0AE30513458//	AD		C	Capacitor (33 μ F 35V)	[C15]
31	0AE30521071//	AH		C	Capacitor (0.1 μ F 250VAC)	[C16]
32	0AE30529989//	AE		C	Capacitor (10 μ F 100V)	[C9]
33	0AE30510228//	AF		C	Cement resistor (3.3 Ω K 5W)	[R1]
34	VRS-PT3DB223J	AB		C	Metal resistor (22K Ω J 2W)	[R3]
35	VRD-ST2HY154J	AA		C	Resistor (150K Ω J 0.5W)	[R4]
36	VRS-PT3DB220J	AB		C	Metal resistor (22 Ω J 2W)	[R5]
37	0AE30493507//	AC		C	Metal resistor (27K Ω J 2W)	[R6]
38	VRD-ST2EY102J	AA		C	Resistor (1K Ω J 0.25W)	[R7]
39	0AE30242570//	AF		C	Resistor (0.33K 2W)	[R8]
40	VRD-ST2EY102J	AA		C	Resistor (1K Ω J 0.25W)	[R9]
41	VRS-PT3DB560J	AB		C	Resistor (56 Ω J 2W)	[R10]
42	VRD-ST2EY470J	AA		C	Resistor (47 Ω J 0.25W)	[R11]
43	VRD-ST2EY331J	AA		C	Resistor (33 Ω J 0.25W)	[R12]
44	VRD-ST2EY100J	AA		C	Resistor (10 Ω J 0.5W)	[R13]
45	VRD-ST2EY471J	AA		C	Resistor (470 Ω J 0.25W)	[R14]
46	VRD-ST2EY471J	AA		C	Resistor (470 Ω J 0.25W)	[R15]
47	VRS-PT3DB121J	AB		C	Metal resistor (120 Ω J 2W)	[R16]
48	VRS-PT3AB470J	AB		C	Metal resistor (47 Ω J 1W)	[R17]
49	VRD-ST2EY681J	AA		C	Resistor (680 Ω J 0.25W)	[R18]
50	VRD-ST2EY221J	AA		C	Resistor (220 Ω J 0.25W)	[R19]
51	VRD-ST2EY221J	AA		C	Resistor (220 Ω J 0.25W)	[R20]
52	VRD-ST2EY681J	AA		C	Resistor (680 Ω J 0.25W)	[R21]
53	VRD-ST2EY471J	AA		C	Resistor (470 Ω J 0.25W)	[R22]
54	VRD-ST2HY391J	AB		C	Resistor (390 Ω J 0.5W)	[R23]
55	VRD-ST2HY151J	AA		C	Resistor (150 Ω J 0.5W)	[R24]
56	VRD-ST2EY151J	AA		C	Resistor (150 Ω J 0.25W)	[R25]
57	0AE30469269//	AL		B	SCR (03P4M)	[SCR1]
58	0AE30116716//	AH		B	Variable resistor (500 Ω B)	[RV1]
59	0AE30538310//	BF		B	Transformer (TM040)	[T1]
60	0AE30266624//	AW		B	Transformer (CCG163-00)	[T2]
61	0AE30266640//	AV		C	Coil (CCG163-02)	[L1]
62	0AE30470164//	AL		C	Coil (CEB173-00)	[L2]
63	0AE30470164//	AL		C	Coil (CEB173-00)	[L3]
64	0AE10491253//	AG		C	insulator	
65	0AE10568937//	AF		C	Radiator sheet	
66	0AE10568869//	AV		C	PWB W/O parts	
67	0AE10567925//	AR		C	Radiator	
68	0AE10567938//	AR		C	Radiator	

7 Exteriors for 100V series power supply

NO.	PARTS CODE	PRICE RANK	NEW MARK	PART RANK	DESCRIPTION
1	XBSSD30P04000	AA		C	Screw
2	XNESD30-24000	AA		C	Nut
3	XBPSD30P06KS0	AA		C	Screw
4	0AE10567967//	AU		C	Chassis
5	0AE10567941//	AW		D	Cover(1)
6	0AE10567954//	AZ		D	Cover(2)
7	XBPSD30P04KS0	AA		C	Screw
8	XBPSD40P07000	AA		C	Screw
9	0AE10538899//	AY		C	Wire harness
10	0AE30511502//	AN		B	AC switch
11	0AE22831688//	AR		C	3p inlet
12	0AE20512336//	AM		C	Terminal
13	0AE23594924//	AC		C	Bushing
14	0AE23595156//	AH		C	Bushing
15	XNESD40-32000	AA		C	Nut

5 7 Exteriors for power supply



SHARP

SHARP CORPORATION
Industrial Instruments Group
Reliability & Quality Control Department
Yamatokoriyama, Nara 639-11, Japan

1984 June Printed in Japan ©