

Fully adjustable, space-saving, ARMS™ for flat panel monitors



Ergotron® DS 100

DeskStands

The DeskStand (DS) Series is a specialized line of products within Ergotron's Adjustable Rotating Mounting Solutions (ARMS™). DS 100 products incorporate Ergotron's patented 100 Series Monitor Pivots with a low profile, minimum footprint base. Users can swing, tilt and turn their flat panel monitors for maximum efficiency and ergonomic comfort. Conserve desk space by suspending up to four flat panel monitors on a single base.

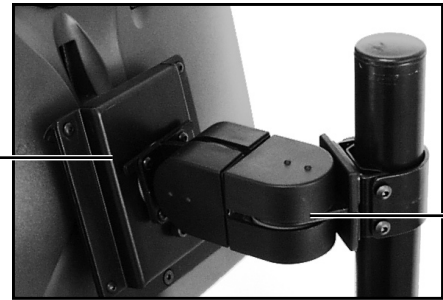
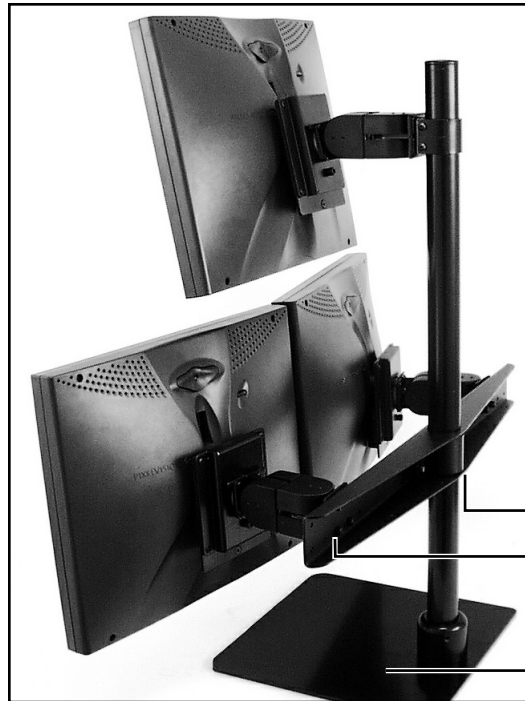
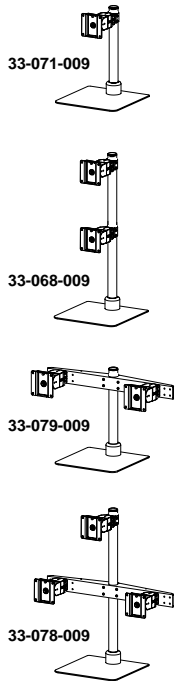
Choose between multiple configurations of crossbars and adjustment ranges. The end-user can adjust the height and position of all monitors to a comfortable, ergonomically appropriate position.

Features

- Easily position the height and angle of your monitor for maximum comfort and productivity
- Three points of rotation provide maximum adjustability:
 - a. 180° of monitor tilt
 - b. 180° of side-to-side tilt
 - c. Portrait/Landscape swiveling
- Handles monitors up to 20 lbs (9.08 kgs)
- Video Electronics Standards Association (VESA®) FPMPMI™ compliant for 75 mm or 100 mm Mounting Interface Standard
- Patented friction system provides smooth adjustment while maintaining touch screen stability without the need for knobs or levers
- Manages 15" to 20" flat panel monitors
- Steel construction ensures long-lasting durability
- Cable management system organizes and routes cables
- Risk-free evaluation program



Maximize the effectiveness of your LCD monitor



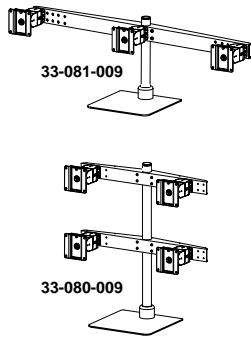
VESA® FPMPMI™ 75 mm and 100 mm Standard Interface Plate

Pivot mechanism(s), position monitor exactly where you need it

Attach at any height on pole

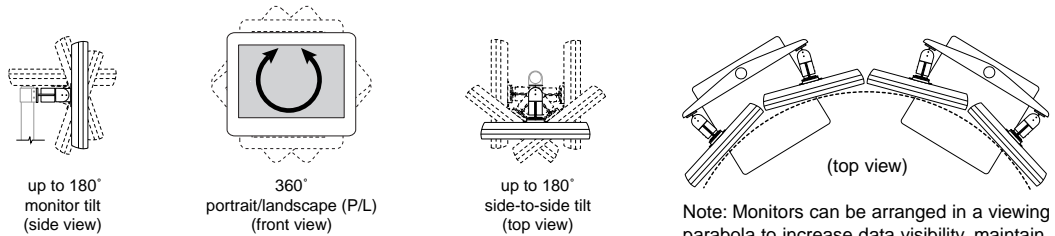
Multiple attachment points are available on cross-bar to accommodate different monitor widths

Flat steel base with durable finish maximizes usable workspace



Range of motion of Pivots:

Note: Actual range of motion depends on mounting surface and size of monitor.



Note: Monitors can be arranged in a viewing parabola to increase data visibility, maintain a single focal length for viewer's eyes (less work for eye muscles) and utilize available space efficiently.

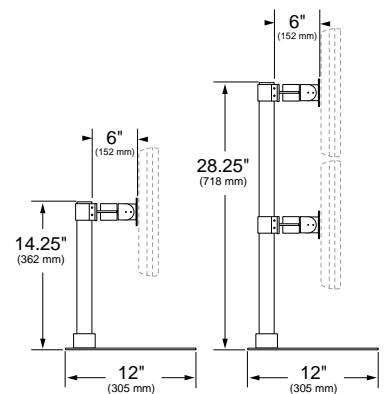
Basic Specifications:

Monitor Interface Pad Options

- VESA FPMPMI™ 75 mm Interface Plate (Standard)
- VESA FPMPMI™ 100 mm Interface Plate (Standard)
- Custom Interface Plate (contact Ergotron for details and availability)

Base Dimension: 12" W x 12"D x .25"H (305 x 305 x 6.4 mm)

Part Number	Description	Application
33-071-009	Single Monitor Stand	Holds one 15"-20" monitor
33-068-009	Double Monitor Stand, vertical	Holds two 15"-20" monitors stacked vertically
33-079-009	Double Monitor Stand, horizontal	Holds two 15"-20" monitor side-by-side
33-078-009	Triple Monitor Stand, pyramid	Holds three 15"-20" monitors in pyramid config.
33-081-009	Triple Monitor Stand, horizontal	Holds three 15"-20" monitors side-by-side
33-080-009	Quad Monitor Stand	Holds four 15"-20" monitors two rows; side-by-side



©1999 Ergotron, Inc.
rev. 11/99 870-05-030

Ergotron, Inc.
1181 Trapp Road
St. Paul, MN 55121
(800) 888-8458
Fax (651) 681-7717
www.ergotron.com
sales@ergotron.com

Ergotron Europe
Kuiperbergweg 50
1101 AG Amsterdam
The Netherlands
Tel. +31 20 696.60.65
Fax. +31 20 609.04.59
info@ergotron-europe.nl

